

DUAL POLARIZATION RIDGED HORN ANTENNA



FEATURES:

- Wide Band
- Dual Polarization
- High Isolation
- Constant Beamwidth

APPLICATIONS:

- Reflector Feeds
- EW/ELINT
- SATCOM
- Test and Measurement
- Radar

DESCRIPTION

Millitech series DPR dual polarization ridged horn antennas are manufactured from aluminum alloy and offer high performance over a wide bandwidth from 18 to 40 GHz. These antennas can support simultaneous vertical and horizontal polarizations with a

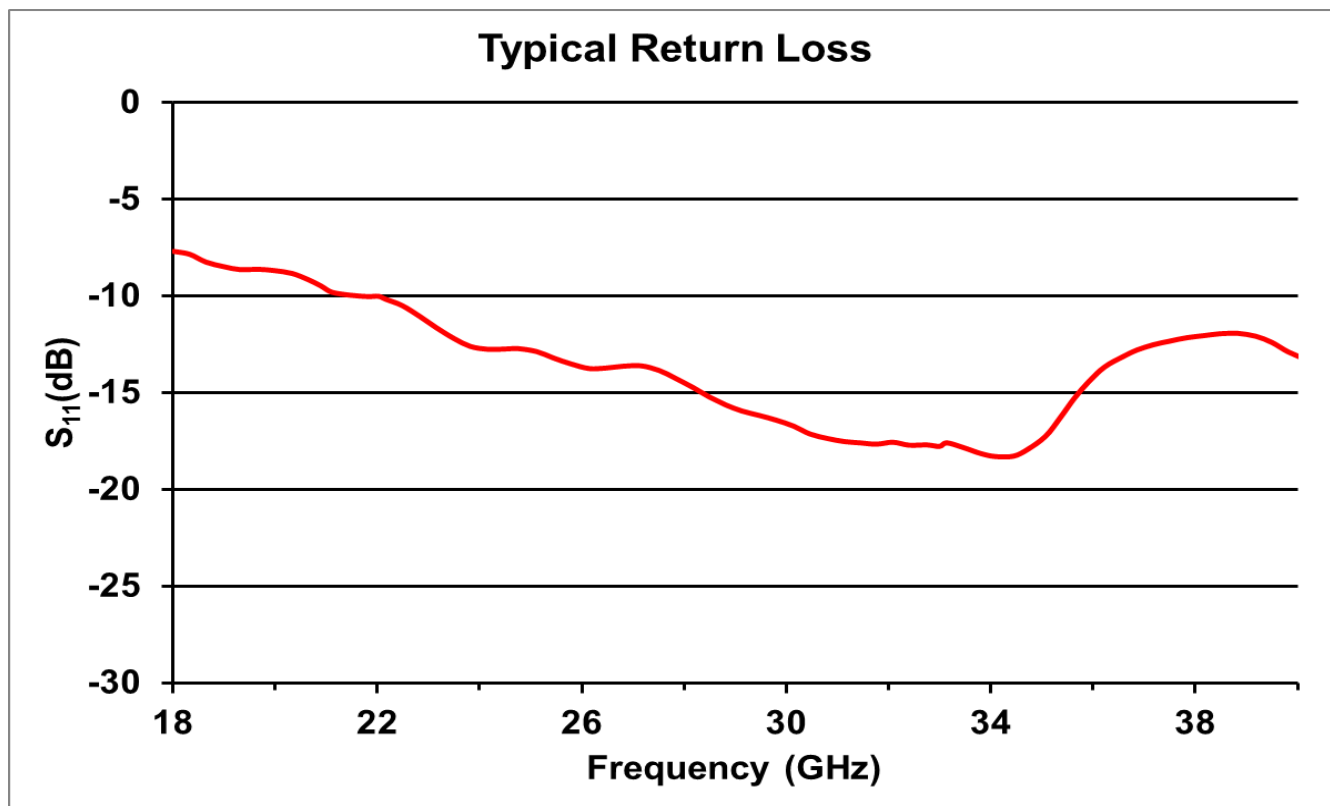
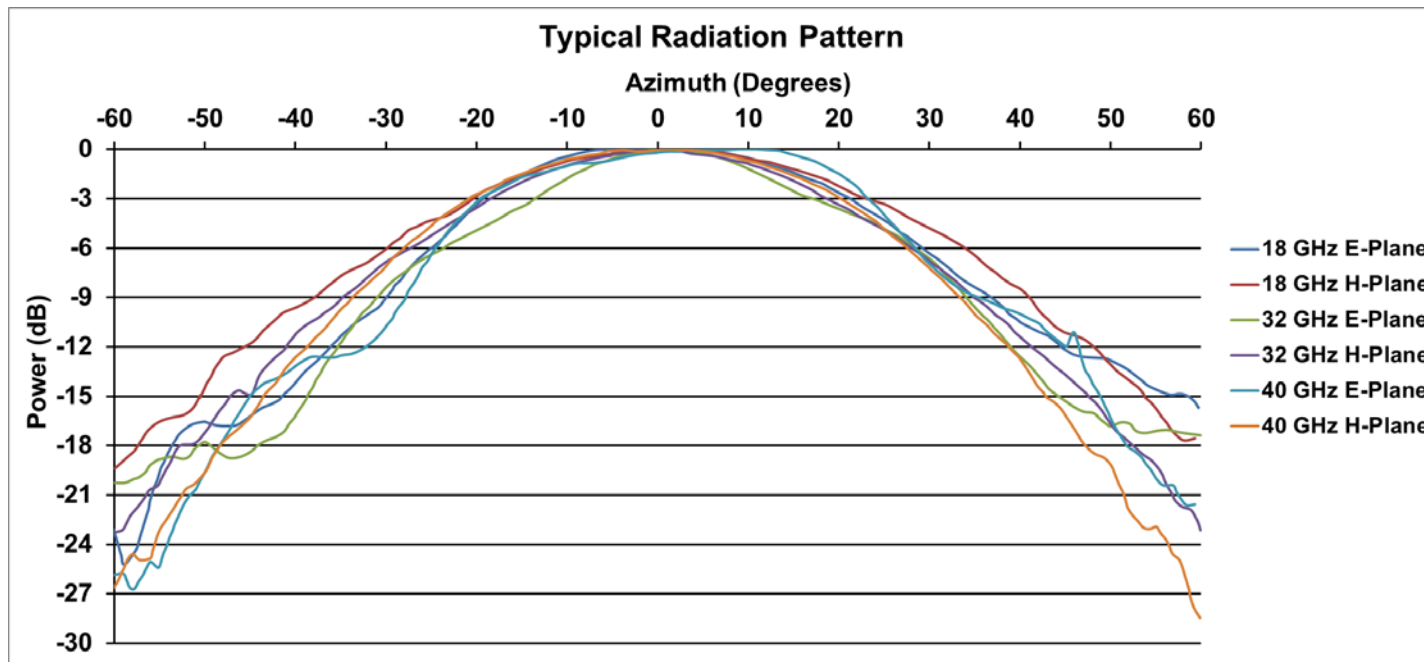
typical isolation of 25 dB. These horns come equipped with two Type K (2.9 mm) connectors. The half power (-3 dB) beamwidth for these horns is typically 40° over the entire 22 GHz bandwidth.

ELECTRICAL SPECIFICATIONS

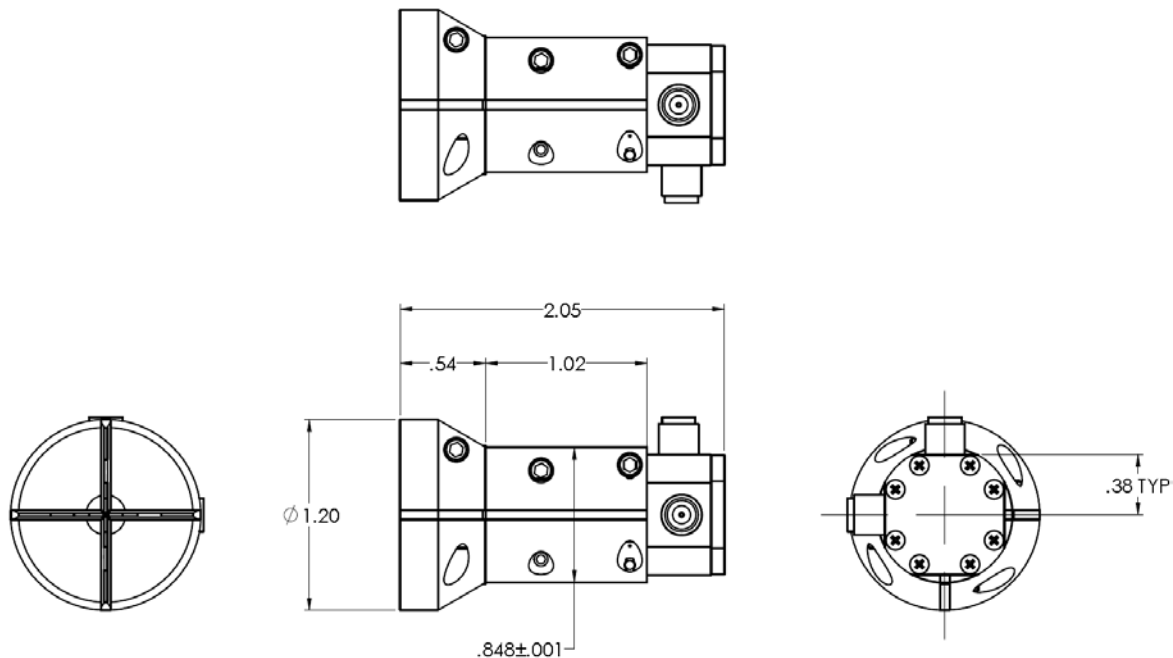
PARAMETER	SPECIFICATION
Frequency Range	18-40 GHz
Connector	2x Type K (2.9 mm) Female
Return Loss (typ.)	10 dB
Isolation (typ.)	25 dB
Half Power Beamwidth (typ.)	40°
10 dB Beamwidth (typ.)	70°

The product represented by this datasheet is subject to U.S. Export Law as contained in the ITAR. Export of the product represented by this datasheet will require a U.S. Department of State export license.

TYPICAL PERFORMANCE



OUTLINE DRAWINGS



How To ORDER

SPECIFY MODEL NUMBER

DPR-KK-1840